

SHANTUI

SG24-C5

Motor Grader



Engine Model: Weichai WP7G240E301
Gross Power: 176kW @ 2200rpm
Operating Weight: 18,500kg

We Level Subgrade Fast and Flat
easy operation and maintenance

SG24-C5 SPECIFICATIONS

ENGINE

Model	Weichai WP7G240E301
Number of cylinders	6
Type	4-cycle, Electronic Injection, Water-cooled
Bore x stroke	108*136mm
Displacement	7.47L
Gross power	176kW @ 2200rpm
Max. traction	97kN
Max. torque	1100N.m @ 1300-1500rpm
Rated fuel consumption	220g/kW.h
Emission	China-III

POWER TRAIN

Transmission	Fixed-axis type, electro-hydraulic control
Torque converter	Single-stage, single-phase, three basic elements
Rear axle	Modular, planetary reduction, "no-Spin" anti-skid differential
Tandem drive	Roller chain. Oscillating angle: $\pm 15^\circ$
Tire	20.5-25PR16
Front axle	Oscillating angle: $\pm 15^\circ$ Tilting angle: $\pm 17^\circ$

STEERING

Front wheel steering angle	$\pm 45^\circ$
Articulation angle	$\pm 25^\circ$
Min. turning radius	8600mm

BRAKES

Service brake	Drum type, foot operated, single circuit, hydraulically actuated on four tandem wheels
Parking brake	Drum type, manually actuated

MOLDBOARD

Rotation	360°
Moldboard width	3965mm
Moldboard height	635mm
Moldboard thickness	20mm
Moldboard tip angle	27-73°
Max. cutting depth	500mm
Max. lifting height	510mm
Max. shoulder reach (left/right)	2355/2410mm
Max. tilting angle (left/right)	$\pm 90^\circ$

SPEED

Forward, 1-6	5.8\10.0\13.2\22.7\28.5\46.9km/h
Reverse, 1-3	5.8\13.2\28.5km/h

HYDRAULICS

Tandem pump	Gear pump. 28ml/r
Overflow pressure for working	18MPa

CAPACITIES

Fuel tank	340L
Hydraulic oil tank	110L
Engine crank case	19L
Engine coolant	33L

ELECTRICAL SYSTEM

Battery	2x12V, 105Ah
Alternator	28V, 70A
Starter motor	24V, 6kW

OPERATING WEIGHT

Standard	18500kg
With rear ripper	18800kg
With front blade	19100kg
With front blade & rear ripper	19400kg

RIPPER (OPTIONAL)

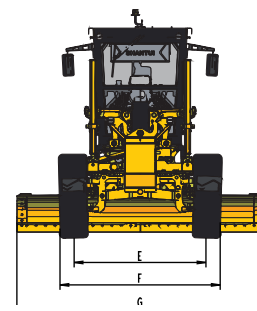
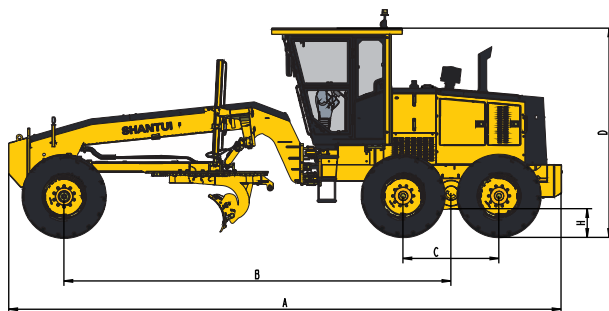
Ripping depth	320mm
Shank supports	5
Shank support spacing	500mm
Working width	2085mm

FRONT BLADE (OPTIONAL)

Width x Height	2740x930mm
Thickness	10mm
Max. lifting height	500mm
Max. digging depth	210mm

DIMENSIONS

A Overall length: Standard	9445mm
A Overall length: With rear ripper	10050mm
A Overall length: With front blade	10440mm
A Overall length: With front blade & rear ripper	11040mm
B Length: Front axle to mid tandem	6560mm
C Length: Between tandem axles	1720mm
D Height: Cab	3560mm
E Tread	2270mm
F Width: Outside tires	2790mm
G Moldboard width	3965mm
H Minimum ground clearance	500mm



* THE SPECIFICATIONS ARE SUBJECT TO CHANGE WITHOUT NOTICE. THE PICTURES MAY INCLUDE OPTIONS. THE ACTUAL COLOR & APPEARANCE OF THE PRODUCT MAY DIFFER FROM WHAT IS SHOWN.



Shantui Social

SHANTUI CONSTRUCTION MACHINERY CO., LTD.
 ADD: No. 58, G327 Highway, Jining City, Shandong, CHINA
 TEL: +86-537-2909369
 FAX: +86-537-2311219
 EMAIL: trade@shantui.com
 WEB: www.shantui.com

SHANTUI
 LET'S MAKE CONSTRUCTION EASIER