

Engine	Cummins QSM11
Gross Power	399.6 hp (298 kW) @ 1,800rpm
Net Power	375.5 hp (280 kW) @ 1,800 rpm
Maximum Digging Depth	27'6" (8,378 mm)
Standard Bucket Capacity	2.9 yd ³ (2.2 m ³)
Operating Weight	105,822 lbs (48,000 kg)

950E EXCAVATOR



TOUGH WORLD. TOUGH EQUIPMENT.

950E SPECIFICATIONS >>>

ENGINE

Emission Regulation	Tier 3 / Stage IIIA
Make	Cummins
Model	QSM11
Gross Power	399.6 hp (298 kW) @ 1,800 rpm
Net Power	375.5 hp (280 kW) @ 1,800 rpm
Peak Torque	1,400 lbf•ft (1,898 N•m) @ 1,400 rpm
Number of Cylinders	6
Displacement	659 in ³ (10.8 L)

TRACK DRIVE

Maximum Travel Speed	3.4 mph (5.5 km/h)
Gradeability	70%
Drawbar Pull	86,776 lbf (386kN)

UNDERCARRIAGE

Shoe Width	2'11" (900 mm)
Number of Shoes per Side	53
Number of Bottom Rollers per Side	9
Number of Upper Rollers per Side	2

HYDRAULIC SYSTEM

Main Pumps Total Flow	2×100 gal/min (2×380 L/min)
Relief Pressure, main	4,685 psi (32.3 MPa)
Relief Pressure, boost	5,120 psi (35.3 MPa)

SWING SYSTEM

Swing Speed	8.5 rpm
-------------	---------

REFERENCE ARM

Arm Length	12'10" (3,900 mm)
Arm Breakout Force, max, ISO	45,861 lbf (204 kN)

WORKING RANGES

Maximum Dig Depth	27'6" (8,378 mm)
Reach at Ground Level	40' 11" (12,480mm)
Depth of 8' Level Bottom	27'1" (8,246 mm)
Maximum Dig Height	36'1" (10,985 mm)
Dump Height	26'3" (7,990 mm)
Maximum Dig Depth of Vertical Wall	23'2" (7,079 mm)

BUCKET PERFORMANCE

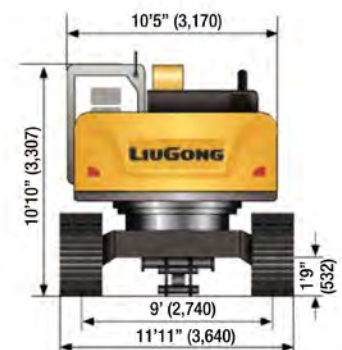
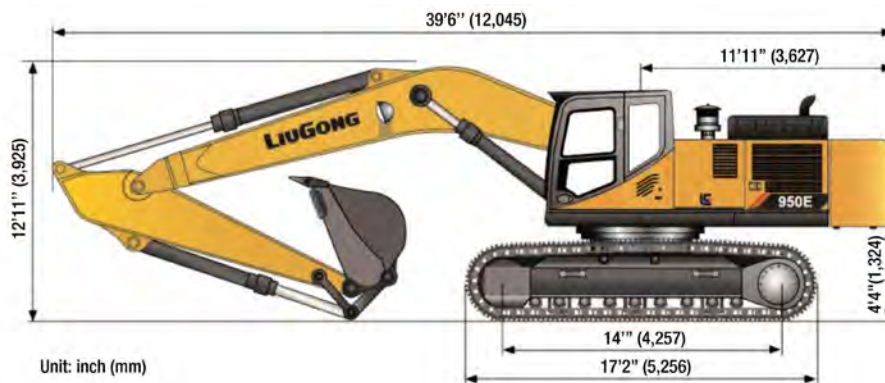
Standard Bucket Heaped Capacity (Referenced)	2.9 yd ³ (2.2 m ³)
Minimum Heaped Capacity of Bucket Options	2.9 yd ³ (2.2 m ³)
Bucket Breakout Force, max, ISO	64,745 lbf (288 kN)

SERVICE CAPACITIES

Fuel Tank	172 gal (650 L)
Engine Oil	10 gal (38 L)
Cooling System	13.2 gal (50 L)
Hydraulic Reservoir	76.7 gal (290 L)
Hydraulic System Total	143 gal (540 L)

Bucket: SAE 2.9 yd³ (2.2 m³) 5,291 lbs (2,400 kg), Boom: 23'2" (7,060 mm), Arm 12'10" (3,900 mm), Shoes: 2'11" (900 mm), Counterweight: 19,842 lbs (9,000 kg)

Lift Point Height			10'		15'		20'		25'		30'		35'	
	lbs	kg	lbs	kg	lbs	kg	lbs	kg	lbs	kg	lbs	kg	lbs	kg
25'	lbs								※27,843	20,595	24,799	15,458	※21,353	15,553
20'	lbs								※30,262	19,825	24,389	15,088		
15'	lbs				※35,304	27,482			※31,362	18,944	23,866	14,614	18,930	11,600
10'	lbs			※55,101	38,476	※40,432	25,815		30,445	18,139	23,364	14,162	18,723	11,408
5'	lbs			※61,904	35,928	42,645	24,406		29,788	17,561	22,991	13,824		
0	lbs			※63,472	34,872	41,593	23,525		29,462	17,275	22,832	13,681		
-5'	lbs	※83,628	68,313	※41,159	68,313	34,691	23,161		29,495	17,303	22,993	13,829		
-10'	lbs	※74,916	69,259	※56,397	35,019	41,234	23,223		29,206	17,724				
-15'	lbs	※61,732	※61,732	※48,031	35,784	※37,819	23,688							
20'	lbs			※34,221	※34,221	※26,031	24,748							



Liugong Construction Machinery N.A., LLC

22220 Merchants Way, Suite 100, Katy, Texas 77449
 T: (281) 579-8882 F: (281) 579-8388
 www.liugongna.com

07/2014 Designed by Liugong

Specifications and designs are subject to change without notice. Machines shown may include optional equipment.