

Engine Cummins 4BTAA3.9-C125
Net Power 83 kW (112 hp) @ 2,200 rpm
Vibration Frequency Range 50 / 45 Hz
Centrifugal Force Range 134 kN / 73 kN
Working Width 2,130 mm
Operating Weight 12,700 kg

6213 ROLLER

 **LIUGONG**



TOUGH WORLD. TOUGH EQUIPMENT.

6213 SPECIFICATIONS >>>

ENGINE

Emission Regulation	Tier 2 / Stage II
Make	Cummins
Model	4BTAA3.9-C125
Gross Power	93 kW (125 hp) @ 2,200 rpm
Net Power	83 kW (112 hp) @ 2,200 rpm
Peak Torque	475 N · m
Number of Cylinders	4
Aspiration	turbo-air-to-air aftercooled
Cooling Type	water

ELECTRICAL SYSTEM

System Voltage	24 V
----------------	------

DRIVE TRAIN

Theoretical Gradeability, without/ with Vibration	40%
Transmission Type	hydrostatic
Maximum Speed, fwd	12 km/h
Inside Turning Radius	<4,495 mm
Outside Turning Radius	<6,625 mm

AXLES

Steering System	hydraulic
Steering Method	articulation
Steering Angle	±35°
Steering Relief Pressure	16 MPa

BRAKES

Service Brake Type	hydraulic
Service Brake Actuation	hydraulic
Parking Brake Actuation	mechanical apply; hydraulic release

HYDRAULIC SYSTEM

Main Pump Type	piston pump + piston pump
Main Relief Pressure	42 + 35 MPa

PERFORMANCE

Static Linear Front Drum Load	280 kg - mm
Number of Vibrating Drums	2
Nominal Amplitude Range	0.75 / 0.4 mm
Vibration Frequency Range	50 / 45 Hz
Centrifugal Force Range	134 / 73 kN
Number of Amplitude Settings	2

OPERATING WEIGHTS

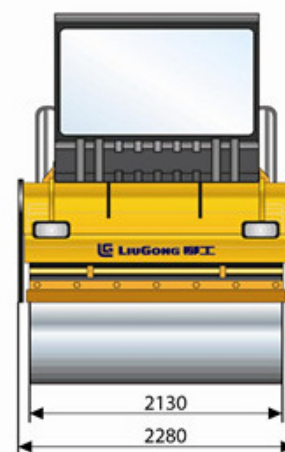
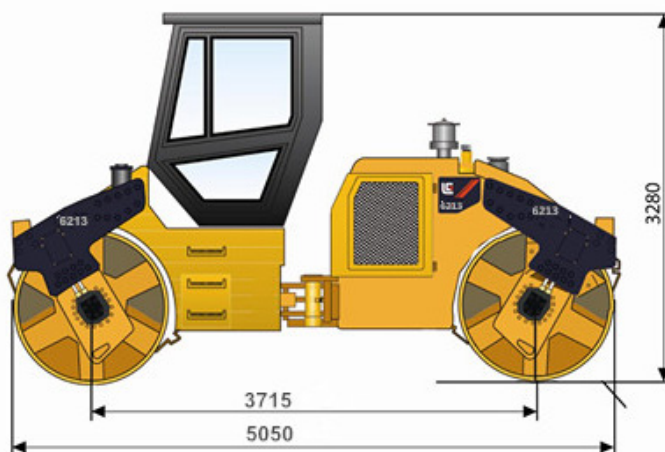
Operating Weight with Ballast	12,700 kg
Weight on Front Drum	6,300 kg
Weight on Tires	6,400 kg

SERVICE CAPACITIES

Fuel Tank	165 L
Engine Oil	11 L
Cooling System	32 L

OPTIONAL EQUIPMENT

Rotary Beacon	
Backup Alarm	



Unit: mm

Guangxi Liugong Machinery Co., Ltd.

No. 1 Liutai Road, Liuzhou, Guangxi 545007, PR China

T: +86 772 3886124

E: overseas@liugong.com

www.liugong.com

Specifications and designs are subject to change without notice. Machines shown may include optional equipment.

05/2014 Designed by Liugong