



# 628H Roller



<b>Engine</b>	Cummins
<b>Net Power</b>	144 kW (195 hp) @ 2,200 rpm
<b>Vibration Frequency Range</b>	33 / 27 Hz
<b>Centrifugal Force Range</b>	500 kN / 300 kN
<b>Working Width</b>	2,130 mm
<b>Operating Weight</b>	27,500 kg

# 628H



## Single Drum Hydrostatic Vibratory Roller

### ENGINE

Emission Regulation	Tier 2 / Stage II
Make	Cummins
Gross Power	160 kW (215 hp) @ 2,200 rpm
Net Power	144 kW (195 hp) @ 2,200 rpm
Peak Torque	980 N.M
Number of Cylinders	6
Aspiration	turbo air – to – air aftercooled
Cooling Type	water

### ELECTRICAL SYSTEM

System Voltage	24 V
----------------	------

### DRIVE TRAIN

Theoretical Gradeability, without/with Vibration	45 %
Transmission Type	hydrostatic
Maximum Speed, fwd	12 km/h
Inside Turning Radius	<4,370 mm
Outside Turning Radius	<6,500 mm

### AXLES

Steering System	hydraulic
Steering Method	articulation
Steering Angle	±35°
Steering Relief Pressure	16 MPa
Differential Rear Type	limited slip

### BRAKES

Service Brake Type	wet hydraulic
Service Brake Actuation	hydraulic
Parking Brake Actuation	mechanical apply; hydraulic release

### TIRES

Tire Size	23.1 - 26 - 14 PR
Tire Tread	G - 23

### HYDRAULIC SYSTEM

Main Pump Type	piston pump + piston pump
Main Relief Pressure	42 + 35 MPa

### PERFORMANCE

Static Linear Front Drum Load	828 kg-mm
Number of Vibrating Drums	1
Nominal Amplitude Range	2.0 / 1.0 mm
Vibration Frequency Range	33 / 27 Hz
Centrifugal Force Range	500 / 300 kN
Number of Amplitude Settings	2

### OPERATING WEIGHTS

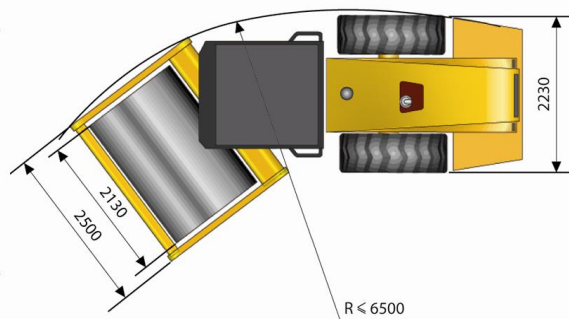
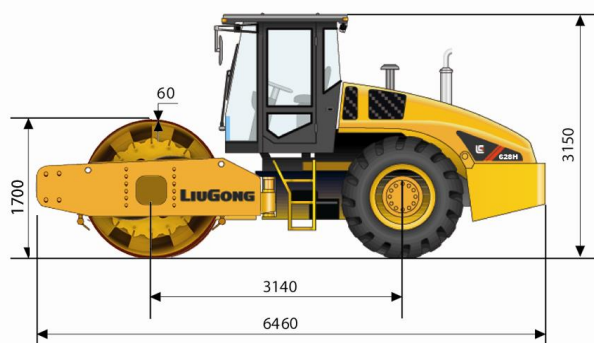
Operating Weight with Ballast	27,500 kg
Weight on Front Drum	18,000 kg
Weight on Tires	9,500 kg

### SERVICE CAPACITIES

Fuel Tank	373 L
Engine Oil	17 L
Cooling System	32 L

### OPTIONAL EQUIPMENT

Padfoot Drum Segment Kit (PDH)
Rotary Beacon
Backup Alarm



Unit: mm

**Guangxi Liugong Machinery Co., Ltd.**

No. 1 Liutai Road, Liuzhou, Guangxi 545007, PR China

T: +86 772 388 6124 E: overseas@liugong.com

[www.liugong.com](http://www.liugong.com)

03/2013 Designed by LiuGong

*Specifications and designs are subject to change without notice. Machines shown may include optional equipment.*