



# 626H Roller



<b>Engine</b>	Cummins
<b>Net Power</b>	144 kW (195 hp) @ 2,200 rpm
<b>Vibration Frequency Range</b>	33 / 27 Hz
<b>Centrifugal Force Range</b>	460 kN / 275 kN
<b>Working Width</b>	2,130 mm
<b>Operating Weight</b>	26,000 kg

# 626H



## Single Drum Hydrostatic Vibratory Roller

### ENGINE

Emission Regulation	Tier 2 / Stage II
Make	Cummins
Gross Power	160 kW (215 hp) @ 2,200 rpm
Net Power	144 kW (195 hp) @ 2,200 rpm
Peak Torque	980 N·m
Number of Cylinders	6
Aspiration	turbo air-to-air, aftercooled
Cooling Type	water

### ELECTRICAL SYSTEM

System Voltage	24 V
----------------	------

### DRIVE TRAIN

Theoretical Gradeability, without/with vibration	50%
Transmission Type	hydrostatic
Maximum Speed, fwd	12 km/h
Inside Turning Radius	< 4,370 mm
Outside Turning Radius	< 6,500 mm

### AXLES

Steering System	hydraulic
Steering Method	articulation
Steering Angle	±35°
Steering Relief Pressure	16 MPa
Differential Rear Type	limited slip

### BRAKES

Service Brake Type	wet hydraulic
Service Brake Actuation	hydraulic
Parking Brake Actuation	mechanical apply; hydraulic release

### TIRES

Tire Size	23.1 - 26 - 14 PR
Tire Tread	G - 23

### HYDRAULIC SYSTEM

Main Pump Type	piston pump + piston pump
Main Relief Pressure	42 + 35 MPa

### PERFORMANCE

Static Linear Front Drum Load	782 kg - mm
Number of Vibrating Drum	1
Nominal Amplitude Range	2 / 1 mm
Vibration Frequency Range	33 / 27 Hz
Centrifugal Force Range	460 / 275 kN
Number of Amplitude Settings	2

### OPERATING WEIGHTS

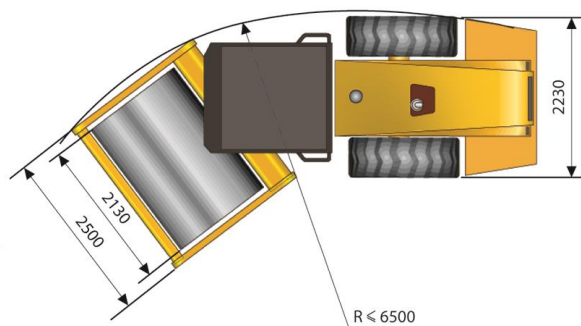
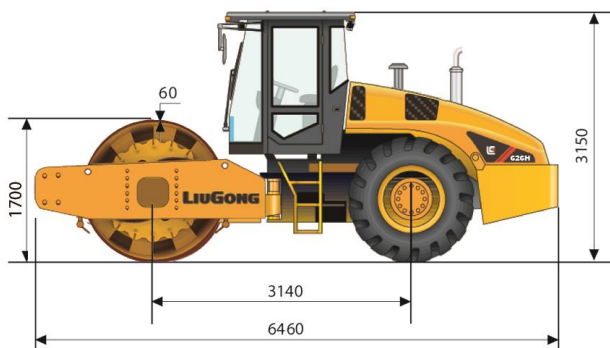
Operating Weight with Ballast	26,000 kg
Weight on Front Drum	17,000 kg
Weight on Tires	9,000 kg

### SERVICE CAPACITIES

Fuel Tank	373 L
Engine Oil	17 L
Cooling System	32 L

### OPTIONAL EQUIPMENT

Padfoot Drum Segment Kit (PDH)
Rotary Beacon
Backup Alarm



Unit: mm

Guangxi Liugong Machinery Co., Ltd.

No. 1 Liutai Road, Liuzhou, Guangxi 545007, PR China

T: +86 772 388 6124 E: overseas@liugong.com

[www.liugong.com](http://www.liugong.com)

03/2013 Designed by Liugong

Specifications and designs are subject to change without notice. Machines shown may include optional equipment.