

SHANTUI

SD24-B2

Crawler Dozer



Engine Model: Cummins NT855-C280
Gross Power: 175kW(235hp)@1800rpm
Operating Weight: 24,500kg

Shantui Torqflow Travel Drive
powershift transmission

SD24-B2 SPECIFICATIONS

ENGINE XL

Engine	Cummins NT855-C280
Emission	China-I
Rated revolution	1800rpm
Gross power	175kW(235hp)@1800rpm
Net power	164kW(260hp)@1800rpm
Number of cylinder-bore×stroke	6-126X155mm
Displacement	14.01L
Max. torque	1085N.m@1300rpm
Cooling system	Mechanic fan

DRIVE SYSTEM XL

Drive system	Manufactured by SHANTUI, with high working efficiency, low breakdown rate; torque flow transmission, 3 gears forward and 3 gears backward, All steering, direction, and speed changes are made by a left-hand single joystick control.	
Traveling speed	Forward	F1:3.6km/h F2:6.5km/h F3:11.2km/h
	Backward	R1:4.3km/h R2:7.7km/h R3:13.2km/h
Max. theoretical traction force	450kN	
Torque converter	3-element, single stage, 1-phase	
Transmission	Electric control, planetary gear and torque flow transmission hydraulically actuated, forced lubrication.	
Central drive	Spiral bevel gear, single-stage speed reduction, splash lubrication.	
Steering clutch	Wet multiple disc, disc spring loaded, hydraulically actuated, hand operated, interconnected with steering brake.	
Brake clutch	Wet, contracting band, foot operated with hydraulic booster.	
Final drive	Spur gear, double reduction, splash lubrication.	

CHASSIS SYSTEM XL

Type	Swing type of sprayed beam, suspended structure of equalizer bar.	
Track shoe type	Single grouser	
Track gauge	2000mm	
Width of track shoe	560/610/660mm	
Track grounding length	3050mm	
Track grounding area	38317cm ²	
Number of track shoe	41 pcs/side	
Grounding pressure (standard configuration)	66kPa	
Number of carrier roller	2 pcs/side	

Number of track roller	7pcs/side
Pitch	206mm

REFILL CAPACITY XL

Fuel capacity	430L
Coolant liquid capacity	69L
Engine oil capacity	24L
Hydraulic oil tank	92L
Transmission	122L
Final drive	82L/side

OPERATING WEIGHT XL

Standard	24500kg
----------	---------

BLADE XL

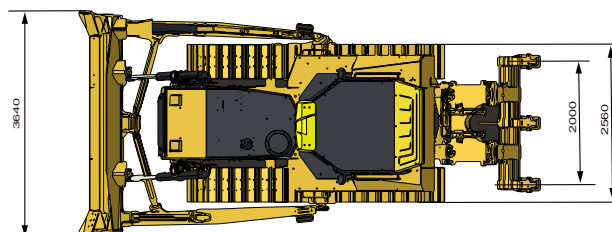
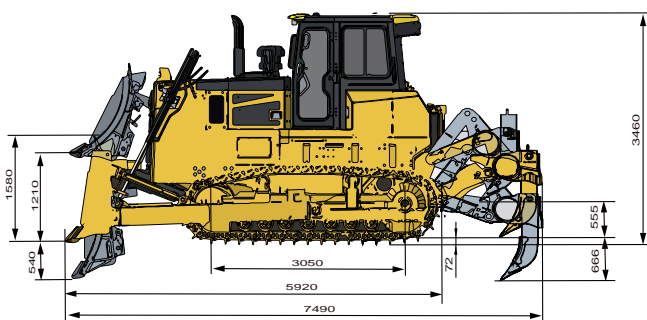
Blade type	Semi-U blade
Blade capacity	6.5m ³

DIMENSION XL

Machine height (without ROPS)	3460mm
Track grouser height	72mm
Ground clearance	405mm
Machine length (with draw bar)	5976mm
Max. lifting height of blade	1240mm
Max. digging depth of blade	540mm
Digging angle of blade	55°(deg.)
Blade width	3640mm
Blade height	1580mm
Width from end of left track shoe to end of right track shoe (standard)	2560mm

RIPPER

Type	Three-shank ripper
Weight	2624kg
Max. ripping depth	666mm
Max. lifting height	555mm
Ripper length (at deepest ripping)	1781mm
Ripper width	2158mm
Departure angle (at highest lifting)	25.5°
Ripping width	2000mm
Distance between ripper teeth	930mm



* THE SPECIFICATIONS ARE SUBJECT TO CHANGE WITHOUT NOTICE. THE PICTURES MAY INCLUDE OPTIONS. THE ACTUAL COLOR & APPEARANCE OF THE PRODUCT MAY DIFFER FROM WHAT IS SHOWN.

SHANTUI CONSTRUCTION MACHINERY CO., LTD.

ADD: No. 58, G327 Highway Jining City, Shandong, CHINA

TEL: +86-537-2909369

FAX: +86-537-2311219

EMAIL: trade@shantui.com

WEB: www.shantui.com

SHANTUI
LET'S MAKE CONSTRUCTION EASIER