



Engine	Shangchai
Net Power	126 kW (169 hp) @ 2,300 rpm
Vibration Frequency Range	32 / 30 Hz
Centrifugal Force Range	360 kN / 180 kN
Working Width	2,130 mm
Operating Weight	18,100 kg

618H

Single Drum Hydrostatic Roller



ENGINE

Emission Regulation	Tier 2 / Stage II
Make	Shangchai
Gross Power	140 kW (190 hp) @ 2,300 rpm
Net Power	126 kW (169 hp) @ 2,300 rpm
Peak Torque	720 N · m
Number of Cylinders	6
Aspiration	turbo-air-to-air aftercooled
Cooling Type	water

ELECTRICAL SYSTEM

System Voltage	24 V
----------------	------

DRIVE TRAIN

Theoretical Gradeability, without/with vibration	45 %
Transmission Type	hydrostatic
Maximum Speed, fwd	10 km/h
Inside Turning Radius	<4,370 mm
Outside Turning Radius	<6,500 mm

AXLES

Steering System	hydraulic
Steering Method	articulation
Steering Angle	± 35°
Steering Relief Pressure	16 MPa
Differential Rear Type	limited slip

BRAKES

Service Brake Type	dry hydraulic
Service Brake Actuation	hydraulic
Parking Brake Actuation	mechanical apply; hydraulic release

TIRES

Tire Size	23.1-26-12 PR
Tire Tread	G - 23

HYDRAULIC SYSTEM

Main Pump Type	piston pump + piston pump
Main Relief Pressure	42 + 35 MPa

PERFORMANCE

Static Linear Front Drum Load	543 kg-mm
Number of Vibrating Drums	1
Nominal Amplitude Range	1.9 / 0.9 mm
Vibration Frequency Range	32 / 30 Hz
Centrifugal Force Range	360 / 180 kN
Number of Amplitude Settings	2

OPERATING WEIGHTS

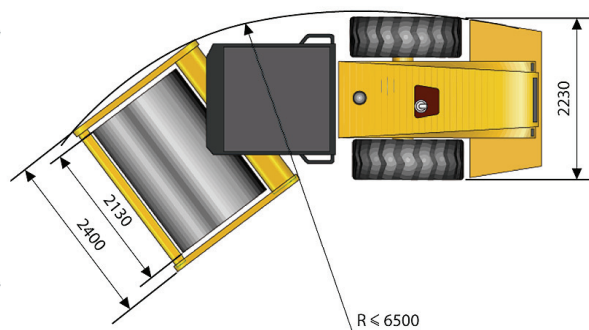
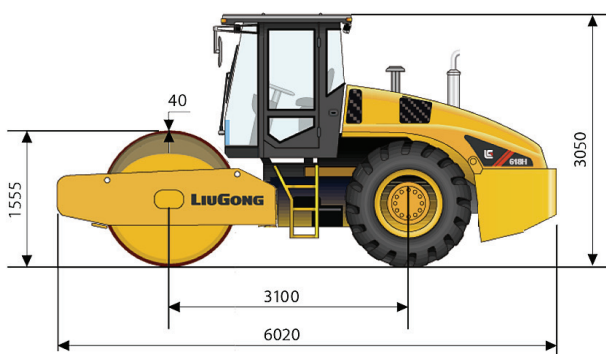
Operating Weight with Ballast	18,100 kg
Weight on Front Drum	11,800 kg
Weight on Tires	6,300 kg

SERVICE CAPACITIES

Fuel Tank	320 L
Engine Oil	19 L
Cooling System	32 L

OPTIONAL EQUIPMENT

Padfoot Drum Segment Kit (PDH)
Rotary Beacon
Backup Alarm



Unit: mm

Guangxi Liugong Machinery Co., Ltd.

No. 1 Liutai Road, Liuzhou, Guangxi 545007, PR China

T: +86 772 388 6124 E: overseas@liugong.com

www.liugong.com

03/2013 Designed by Liugong

Specifications and designs are subject to change without notice. Machines shown may include optional equipment.