

Model	Capacity @ 500 mm LC	Fuel Type	Engine
CPCD15	1,500 kg	Diesel	Xinchai NC485BPG-2 2.27 L
CPCD15	1,500 kg	Diesel	YANMAR 4TNE92-HRJ 2.659 L

# CPCD15

Diesel  
Pneumatic Tire Forklifts

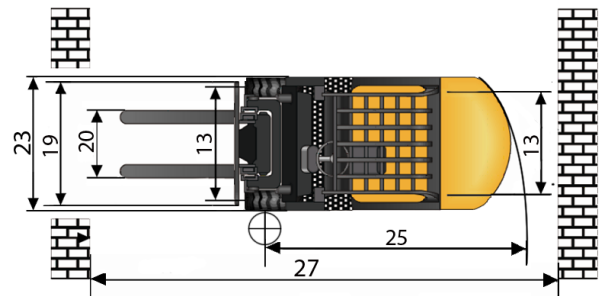
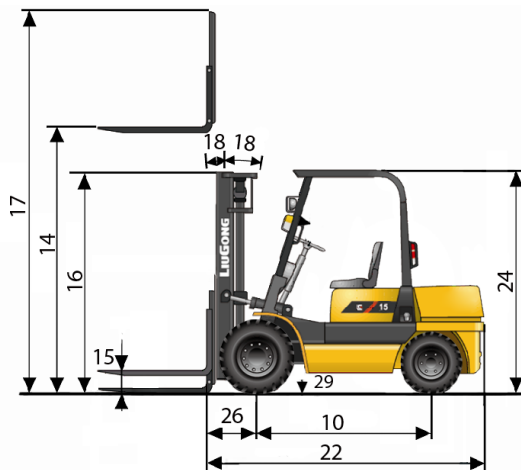


**TOUGH WORLD. TOUGH EQUIPMENT.**

# CPCD15 Diesel • Pneumatic Tire Forklifts



General	1	Model			CPCD15	CPCD15
	2	Power Type			Diesel	Diesel
	3	Base Capacity	@ rated load center	kg	1,500	1,500
	4	Load Center		mm	500	500
Weights	5	Service Weight	unloaded	kg	2,600	2,600
	6	Axle Load	loaded / unloaded, front	kg	3,640 / 1,140	3,640 / 1,140
	7		loaded / unloaded, rear	kg	460 / 1,460	460 / 1,460
Tires	8	Tire Type			Pneumatic	Pneumatic
	9	Wheels	front / rear		2 / 2	2 / 2
	10	Wheelbase		mm	1,400	1,400
	11	Tire Size	front		6.5-10-10PR	6.5-10-10PR
	12		rear		5.00-8-8PR	5.00-8-8PR
13	Tread Width	front / rear		890 / 870	890 / 870	
Mast	14	Max. Fork Height	with std 2-stage mast	mm	3,000	3,000
	15	Freelift	with std 2-stage mast	mm	110	110
	16	Height, Upright Lowered	with std 2-stage mast	mm	2,015	2,015
	17	Height, Upright Extended	with std 2-stage mast	mm	3,920	3,920
	18	Mast Tilt, Fwd/Back	with std 2-stage mast	deg	6° / 12°	6° / 12°
	19	Carriage	width	mm	970	970
	20	Fork Spread	Minimum / maximum	mm	200 / 920	200 / 920
	21	Fork Dimensions	T x W x L	mm	35 x 100x 920	35 x 100x 920
Chassis	22	Length to Fork Face	with std 2-stage mast	mm	2,248	2,248
	23	Overall Width		mm	1,080	1,080
	24	Overhead Guard Height		mm	2,056	2,056
	25	Turning Radius	minimum outside	mm	1,950	1,950
	26	Fork Overhang	with std 2-stage mast	mm	420	420
	27	Right Angle Stack	add load length and clearance	mm	3,490	3,490
	28	Gound Clearance	minimum loaded	mm	100	100
	29		center of wheelbase	mm	110	110
Performance	30	Travel Speed	loaded / unloaded	Km/h	15 / 15	15 / 15
	31	Lift Speed	loaded / unloaded	m/s	0.46 / 0.5	0.46 / 0.5
	32	Lower Speed	loaded / unloaded	m/s	0.55 / 0.4	0.55 / 0.4
	33	Max. Drawbar Pull	loaded	kg	1,700	1,700
	34	Max. Gradeability	loaded / unloaded	%	20 / 20	20 / 20
Systems	35	Brakes	service		Foot / Hyd	Foot / Hyd
	36		parking		Hand / Mech	Hand / Mech
	37	Engine	manufacturer		Xinchai	YANMAR
	38		model		NC485BPG-2	4TNE92-HRJ
	39		emission compliance		China Tier II	EPA / Euro Tier III
	40		cylinders		4	4
	41		displacement	liter	2.27	2.659
	42		rated power	kW/rpm	30 / 2,600	32.8 / 2,450
	43		max. torque	N • m/rpm	131 / 1,900	140 / 1,700



## Guangxi Liugong Machinery Co., Ltd.

No. 1 Liutai Road, Liuzhou, Guangxi 545007, PR China  
 T: +86 772 3886124 E: overseas@liugong.com  
 www.liugong.com

02/2014 Designed by Liugong